

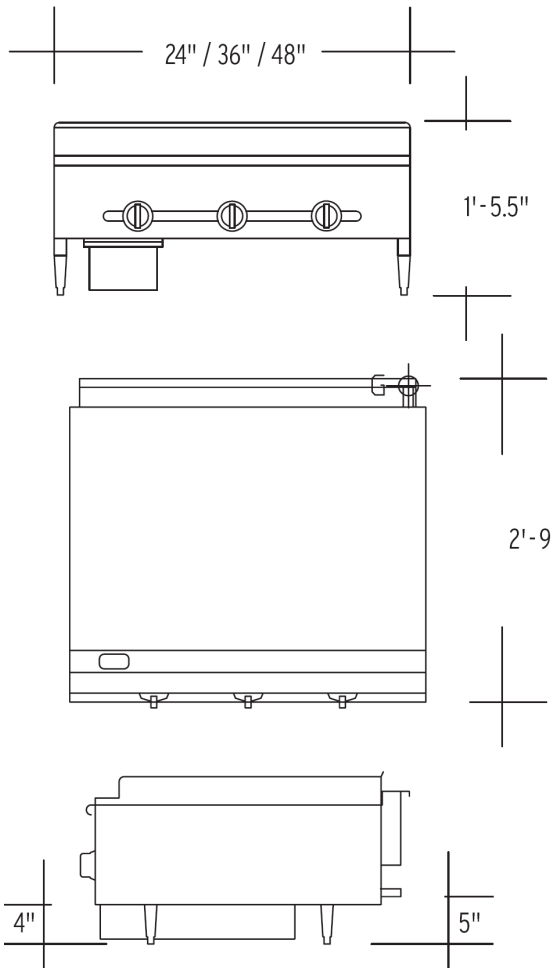


## TSG24-HD TSG36-HD TSG48-HD

### THERMOSTAT CONTROLLED GAS GRIDDLES - HEAVY DUTY

#### PRODUCT FEATURES:

- Available in 24" , 36" or 48"
- Stainless steel construction
- Commercial grade 3/4" steel plate surface
- 1" Thick griddle plate available
- Convenient and easily removed drip drawer for effortless cleaning
- Thermostatic controlled griddles maintain user specified heat setting and ensures consistent surface temperature
- Even heat distribution
- 4" heavy duty chrome legs
- 4" Side splash and backsplash standard



#### SPECIFICATIONS: TSG24-HD

Dimensions	25"W x 34"D x 17"H
Burners	2
Shipping Weight	203 lb. N.W. / 253.5 lb. G.W.
Power	3/4" NPT connection
BTU	60,000 BTU/burner

L.P. Gas units also available

#### SPECIFICATIONS: TSG36-HD

Dimensions	37"W x 34"D x 17"H
Burners	3
Shipping Weight	260 lb. N.W. / 335.5 lb. G.W.
Power	3/4" NPT connection
BTU	90,000 BTU/burner

L.P. Gas units also available

#### SPECIFICATIONS: TSG48-HD

Dimensions	49"W x 34"D x 17"H
Burners	4
Shipping Weight	368 lb. N.W. / 436.5 lb. G.W.
Power	3/4" NPT connection
BTU	120,000 BTU/burner

L.P. Gas units also available

\* In the pursuit of a better product, durability and performance. SATURN reserves the right to change specifications, materials and design without further notice.



WARRANTY:  
1 year parts and labor.